



SINKS

ONE COMPARTMENT TWO DRAINBOARD

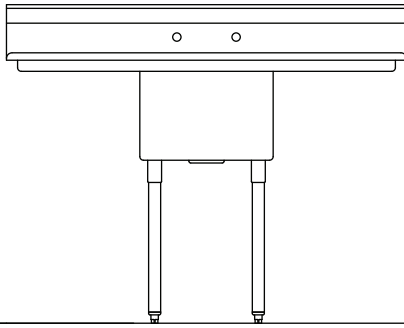


Item #:

Qty #:

Model #:

Project #:



SINK FEATURES:

Fully fabricated bowl for the full metal thickness throughout the bowl and greater durability than a drawn sink

9" high backsplash, with 2" return to wall at 45 degrees with easy installation tile edging

2 1/2 high. 180 degree sanitary rolled rim at all free edges

Leg assemblies located directly under the sink bowls for greater load support

Legs are 1 5/8" diameter tubing with adjustable bullet feet

All corners are covered at 5/8" radius, welded and polished to form a one-piece sanitary unit

All sinks are furnished with basket drains and 1" faucet holes punched in backsplash on 8" centers as required

Sinks with drainboards 30" and longer have additional legs under each drainboard for added strength

SINK OPTIONS:

PARAMOUNT SERIES

- 14 Gauge type 304 stainless steel
- 12" bowl depth
- Stainless steel legs & crossrails
- NSF listed

STANDARD SERIES

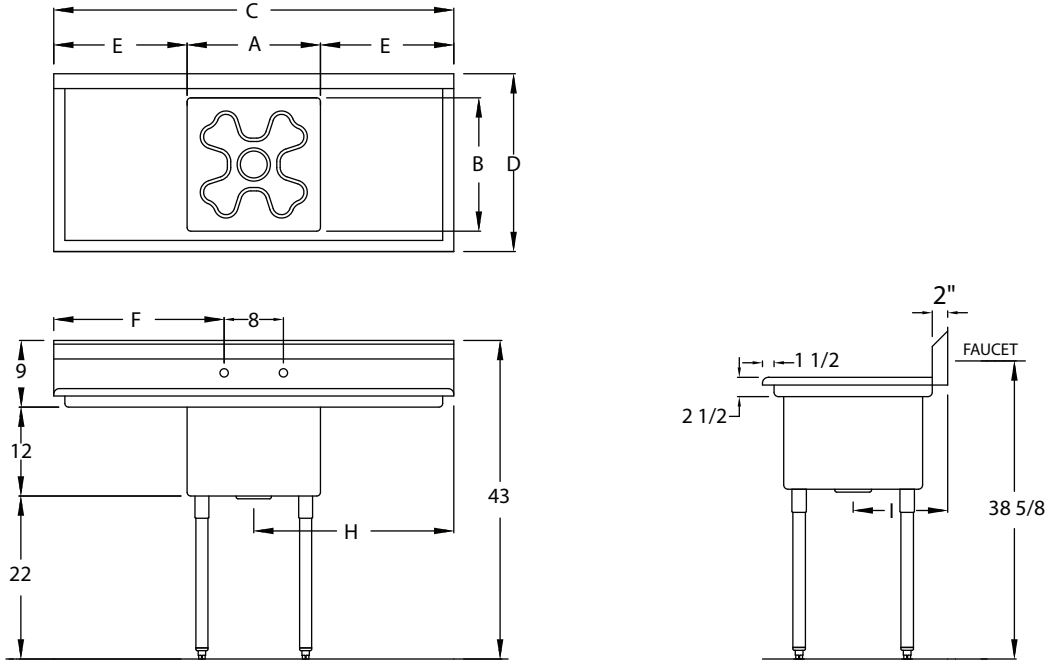
- 16 gauge type 304 stainless steel
- 12" bowl depth
- Galvanized legs (stainless steel available)
- NSF listed

ECONOMY SERIES

- 18 gauge 304 tubs
- 12" bowl depth
- Galvanized legs (stainless steel available)
- NSF listed

DIMENSIONS		PARAMOUNT		STANDARD		ECONOMY	
BOWL SIZE	D/B SIZE	MODEL NO.	WT.	MODEL NO.	WT.	MODEL NO.	WT.
18 X 18	18"	RJ-P-1-1818-18D	59	RJ-S-1-1818-18D	55	RJ-E-1-1818-18D	60
	24"	RJ-P-1-1818-24D	64	RJ-S-1-1818-24D	59	RJ-E-1-1818-24D	65
	30"	RJ-P-1-1818-30D	68	RJ-S-1-1818-30D	63	N/A	N/A
18 X 24	18"	RJ-P-1-1824-18D	72	RJ-S-1-1824-18D	64	RJ-E-1-1824-18D	70
	24"	RJ-P-1-1824-24D	76	RJ-S-1-1824-24D	68	RJES-1-1824-24D	72
	30"	RJ-P-1-1824-30D	80	RJ-S-1-1824-30D	75	N/A	N/A
20 X 20	20"	RJ-P-1-2020-20D	70	RJ-S-1-2020-20D	60	RJ-E-1-2020-20D	74
	24"	RJ-P-1-2020-24D	75	RJ-S-1-2020-24D	66	RJ-E-1-2020-24D	77
	30"	RJ-P-1-2020-30D	80	RJ-S-1-2020-30D	71	N/A	N/A
24 X 24	24"	RJ-P-1-2424-24D	85	RJ-S-1-2424-24D	78	RJ-E-1-2424-24D	84
	30"	RJ-P-1-2424-30D	90	RJ-S-1-2424-30D	84	RJ-E-1-2424-30D	89
	36"	RJ-P-1-2424-36D	95	RJ-S-1-2424-36D	89	N/A	N/A
24 X 30	24"	RJ-P-1-2430-24D	108	RJ-S-1-2430-24D	95	N/A	N/A
	30"	RJ-P-1-2430-30D	113	RJ-S-1-2430-30D	100	N/A	N/A
	36"	RJ-P-1-2430-36D	120	RJ-S-1-2430-36D	105	N/A	N/A

DIMENSIONS & SPECIFICATIONS



DIMENSIONS ARE TYPICAL (TOL. +/- 1/2")

MODEL	A	B	C	D	E	F	G	H	I	J
RJ-1-1818-18D	18	18	54	24	18	23	N/A	27	12 1/4	N/A
RJ-1-1818-24D	18	18	66	24	24	29	N/A	33	12 1/4	N/A
RJ-1-1818-30D	18	18	78	24	30	35	N/A	39	12 1/4	N/A
RJ-1-1824-18D	18	24	54	30	18	23	N/A	27	15 1/4	N/A
RJ-1-1824-24D	18	24	66	30	24	29	N/A	33	15 1/4	N/A
RJ-1-1824-30D	18	24	78	30	30	35	N/A	39	15 1/4	N/A
RJ-1-2020-20D	20	20	60	26	20	26	N/A	30	13 1/4	N/A
RJ-1-2020-24D	20	20	68	26	24	30	N/A	34	13 1/4	N/A
RJ-1-2020-30D	20	20	80	26	30	36	N/A	40	13 1/4	N/A
RJ-1-2028-20D	20	28	60	34	20	26	N/A	30	17 1/4	N/A
RJ-1-2028-24D	20	28	68	34	24	30	N/A	34	17 1/4	N/A
RJ-1-2028-30D	20	28	80	34	30	36	N/A	40	17 1/4	N/A
RJ-1-2424-24D	24	24	72	30	24	32	N/A	36	15 1/4	N/A
RJ-1-2424-30D	24	24	84	30	30	38	N/A	42	15 1/4	N/A
RJ-1-2424-36D	24	24	96	30	36	44	N/A	48	15 1/4	N/A
RJ-1-2430-24D	24	30	72	36	24	32	N/A	36	18 1/4	N/A
RJ-1-2430-30D	24	30	84	36	30	38	N/A	42	18 1/4	N/A
RJ-1-2430-36D	24	30	96	36	36	44	N/A	48	18 1/4	N/A



RJ Fabricators reserves the right to progressively alter our product specifications to maintain our premium quality.